

6

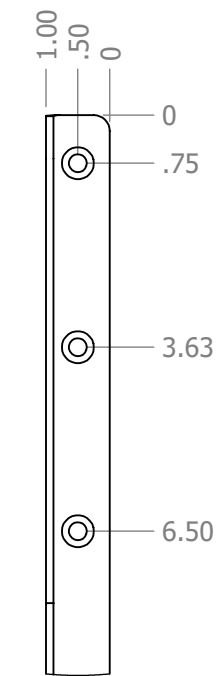
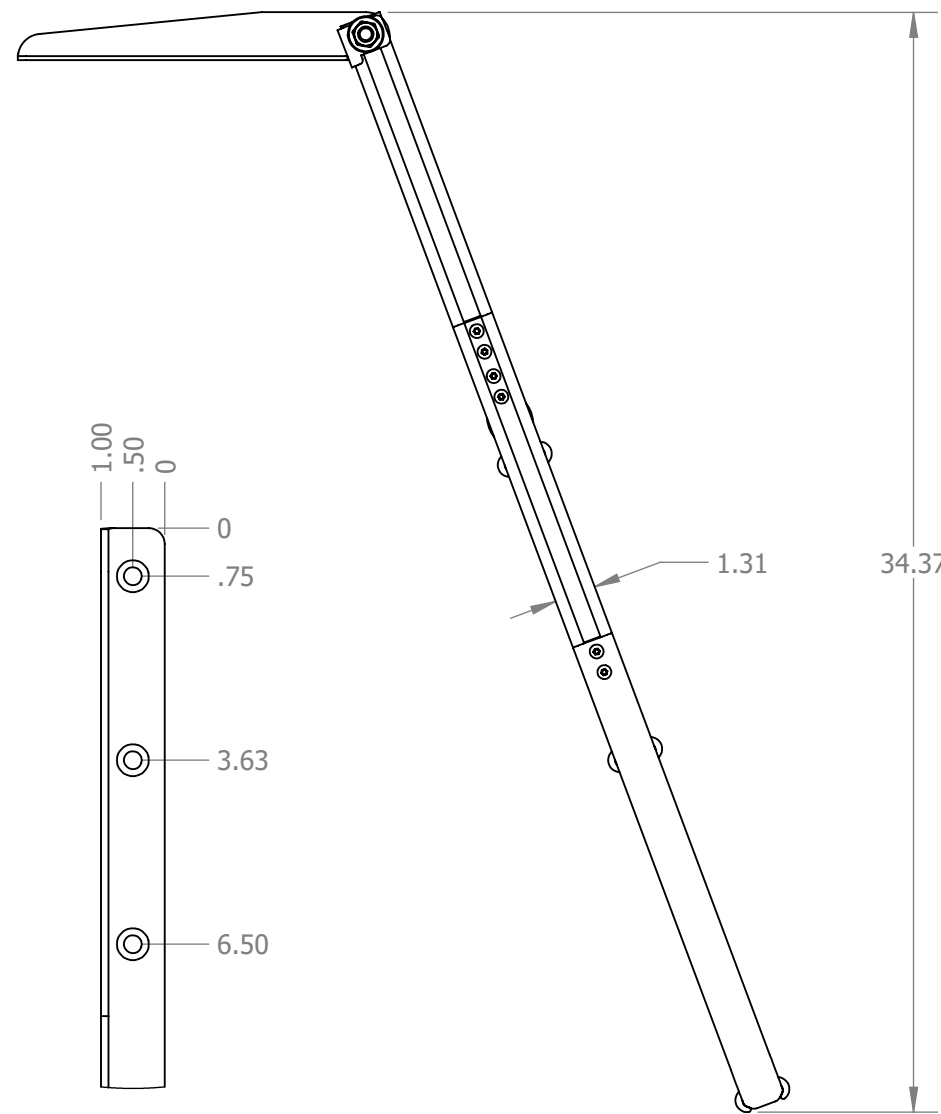
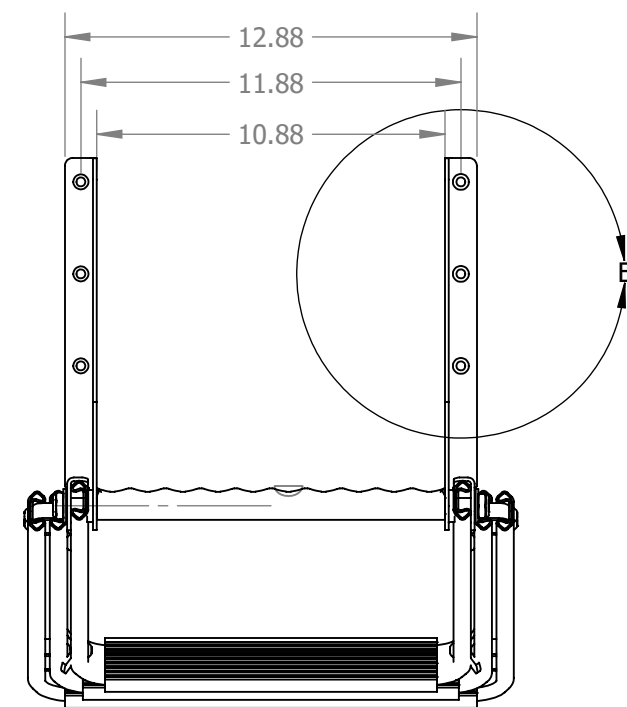
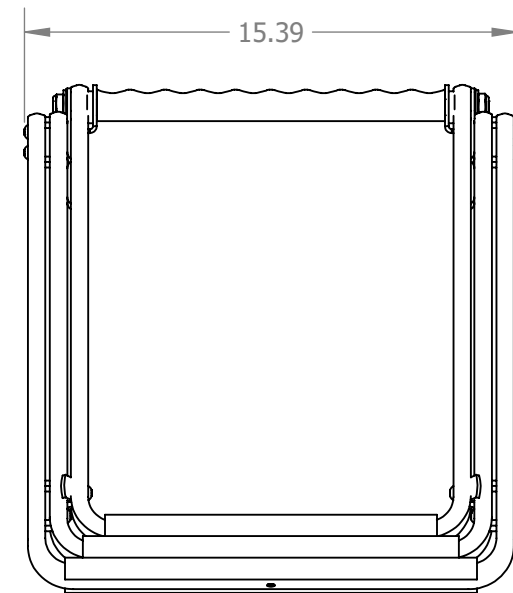
5

4

3

2

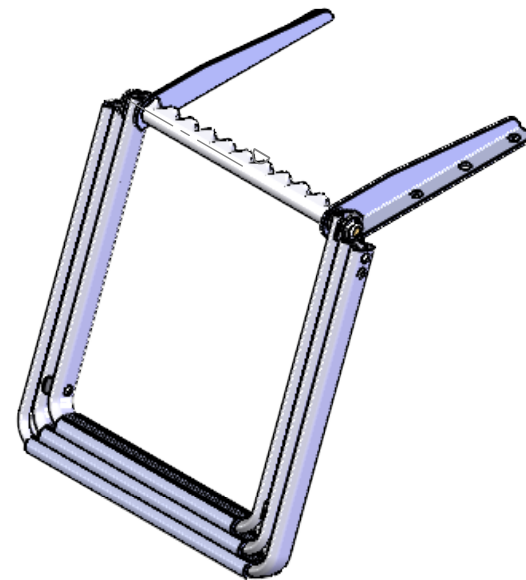
1



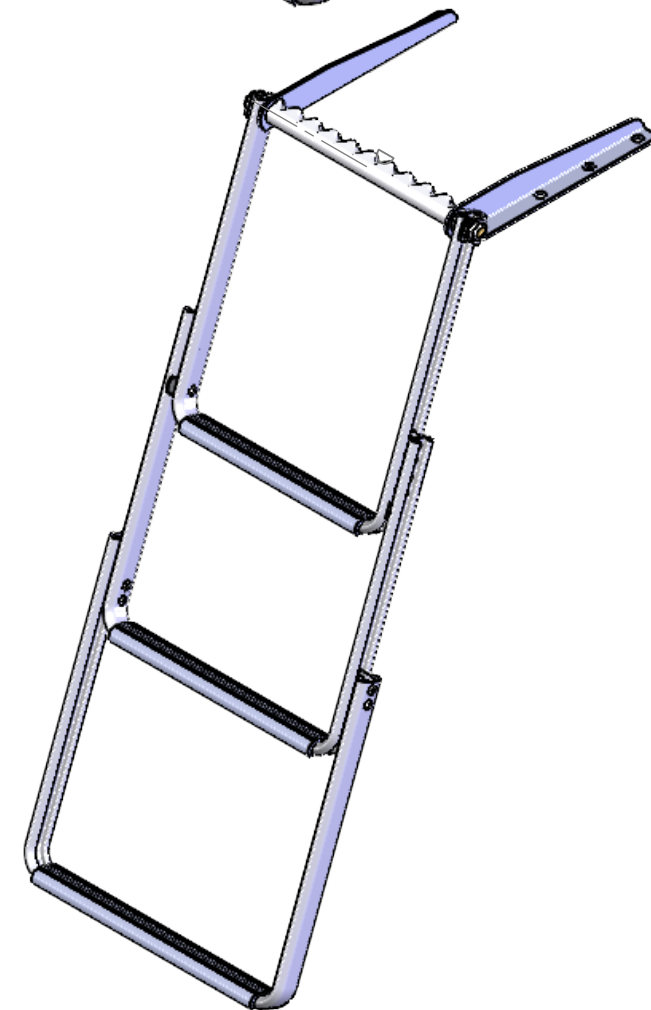
DETAIL E
SCALE 1 : 3

MOUNTING HOLES

STOWED VIEW



DEPLOYED VIEW



6


5

4

3

2

1

<p>PROPRIETARY AND CONFIDENTIAL</p> <p>THE INFORMATION CONTAINED IN THIS DRAWING IS THE SOLE PROPERTY OF GG SCHMITT & SONS.</p> <p>ANY REPRODUCTION IN PART OR AS A WHOLE WITHOUT THE WRITTEN PERMISSION OF GG SCHMITT & SONS IS PROHIBITED.</p>	<p>THIRD ANGLE PROJECTION</p>  <p>UNLESS OTHERWISE SPECIFIED: DIMENSIONS ARE IN INCHES [SECONDARY IS IN MILLIMETERS]</p> <p>TOLERANCES: FRACTIONAL: 1/16" ANGLE: ± .5° .XX ± .03", .XXX ± .010 INTERPRET DIM AND TOL PER ASME 14.5M-1994</p>	<p>DESCRIPTION 3 STEP SS LAD W/FIXED GUDGEON</p>			<p>GG Schmitt & Sons</p> <p>2821 Old Tree Dr Lancaster, PA 17603 (717)394-1301</p> <p>7220 15th St. E Sarasota, FL 34243 (941)560-1927</p>			
		<p>DRAWN</p> <p>CHECKED</p>	<p>CONOR .W</p>	<p>9/3/2021</p>	<p>SCALE 1:6</p>	<p>DO NOT SCALE DRAWING</p>	<p>SIZE B</p>	<p>SHEET 1 OF 1</p>