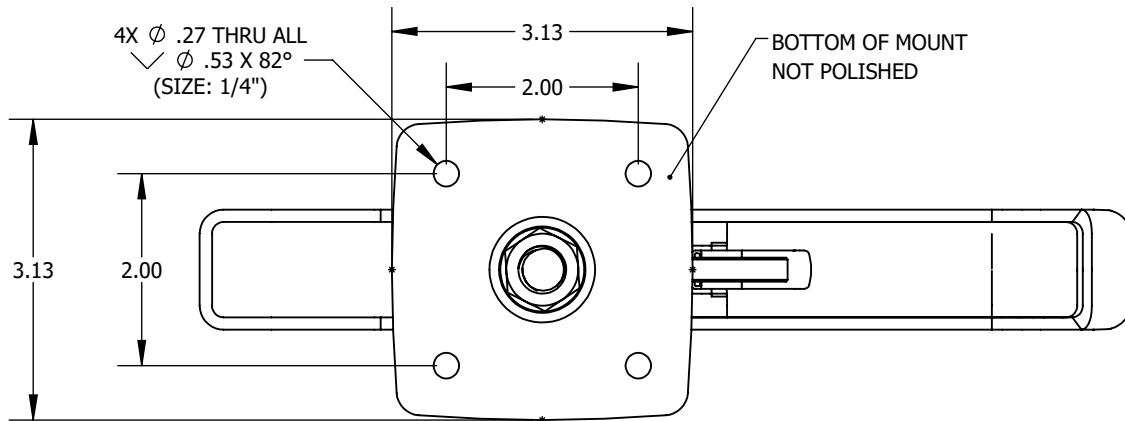
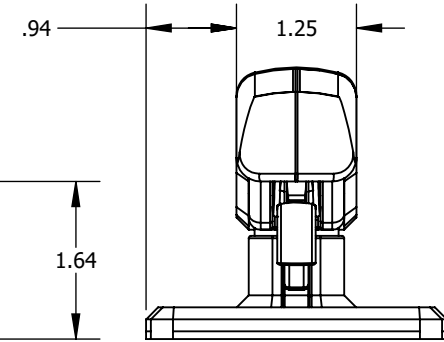
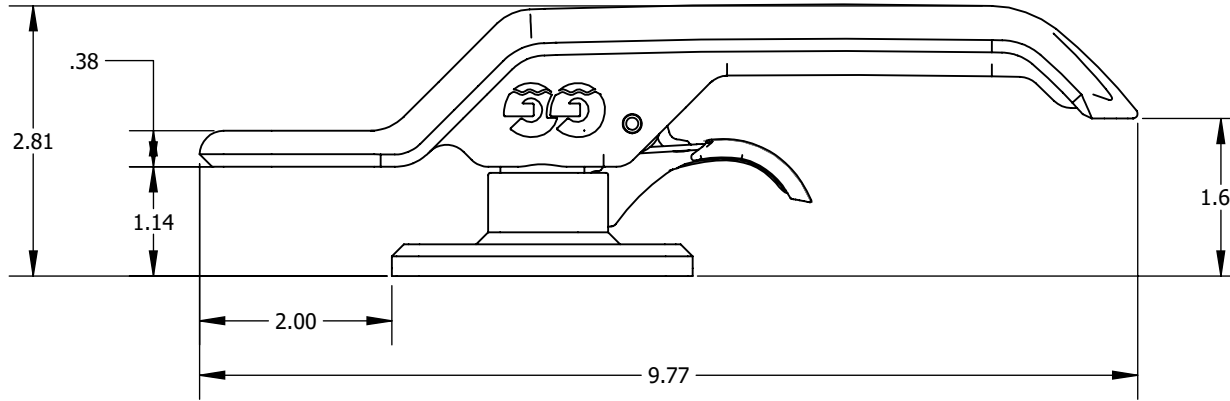
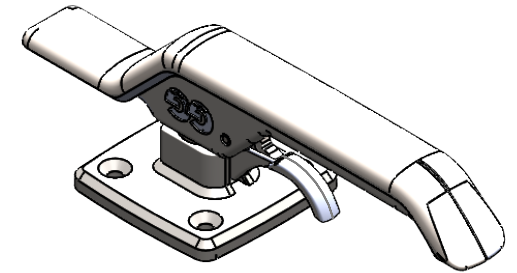
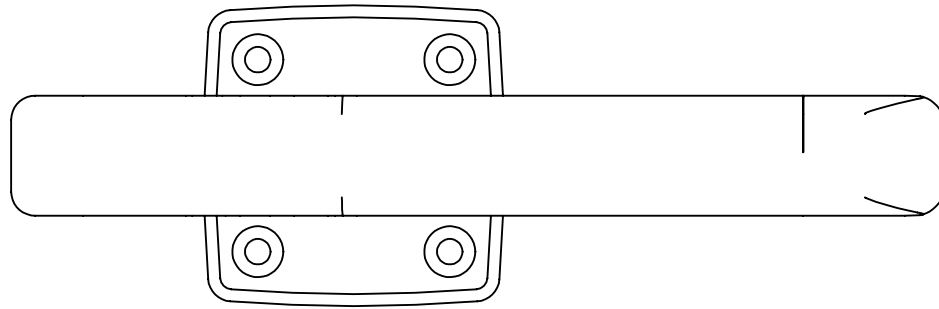




FINISH: POLISH #8
 NOTE:
 GG LOGO ON BOTH SIDES
 HANDLE ROTATION 360°



PROPRIETARY AND CONFIDENTIAL THE INFORMATION CONTAINED IN THIS DRAWING IS THE SOLE PROPERTY OF GG SCHMITT & SONS. ANY REPRODUCTION IN PART OR AS A WHOLE WITHOUT THE WRITTEN PERMISSION OF GG SCHMITT & SONS IS PROHIBITED.	THIRD ANGLE PROJECTION  UNLESS OTHERWISE SPECIFIED: DIMENSIONS ARE IN INCHES [SECONDARY IS IN MILLIMETERS] TOLERANCES: FRACTIONAL ± 1/16" ANGLE: ± 5° .XX ± .05", XXX ± .010 INTERPRET DIM AND TOL PER ASME 14.5M-1994	DESCRIPTION LATCH, SS GGS DIVE DOOR		 PART NO. GG03242C		REV
		DRAWN CHECKED	CONOR W	10/4/2022	SCALE 1:4	DO NOT SCALE DRAWING

6

5

4

3

2

1

D

D

C

C

B

B

A

A

6

5

4

3

2

1