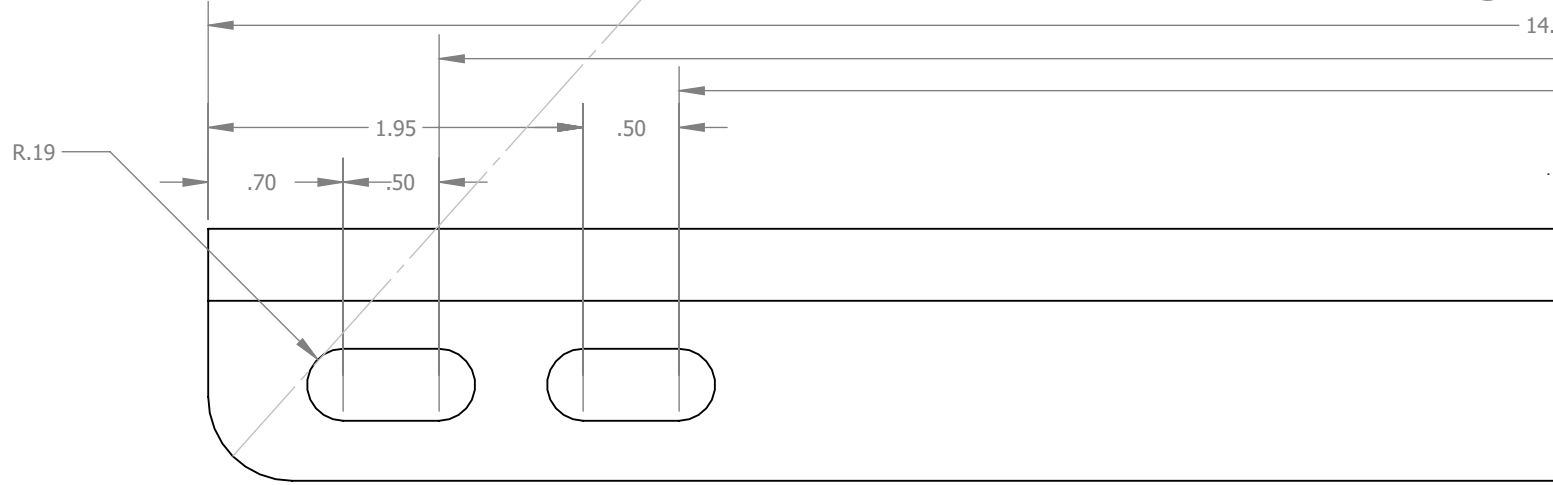


(1) ALIGN EDGE OF PAGE (1)

(4) ALIGN EDGE OF PAGE (4)

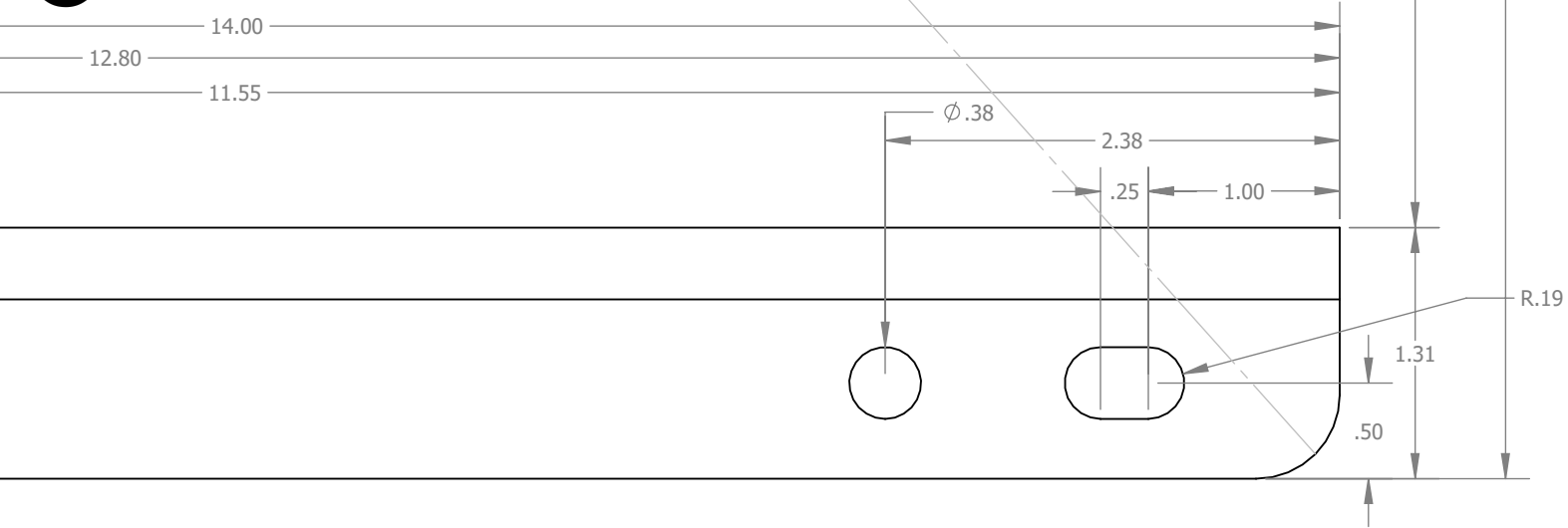


(3) ALIGN EDGE OF PAGE (3)

13.00

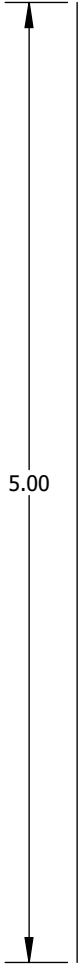
15.63

(4) ALIGN EDGE OF PAGE (4)



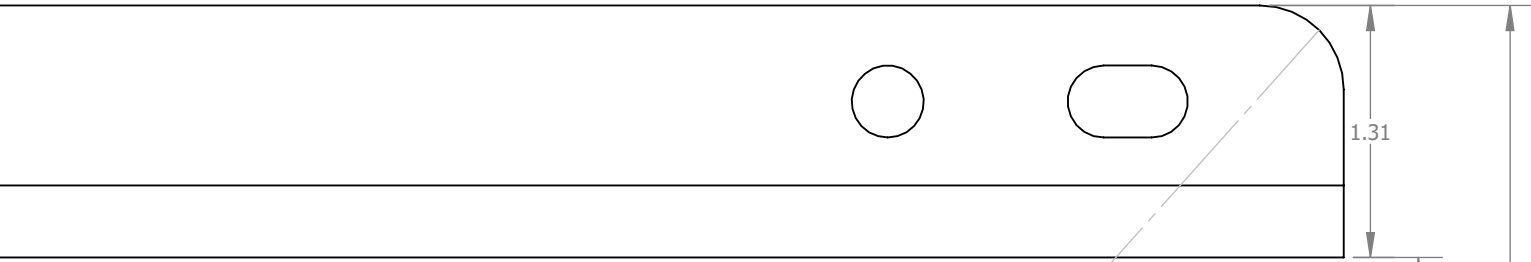
ALIGN PAGES EDGE TO
EDGE BY MATCHING
NUMBERED EDGES

5" REFERENCE LINE FOR STANDARD RULER



(2) ALIGN EDGE OF PAGE (2)

(1) ALIGN EDGE OF PAGE (1)



(2) ALIGN EDGE OF PAGE (2)

(3) ALIGN EDGE OF PAGE (3)