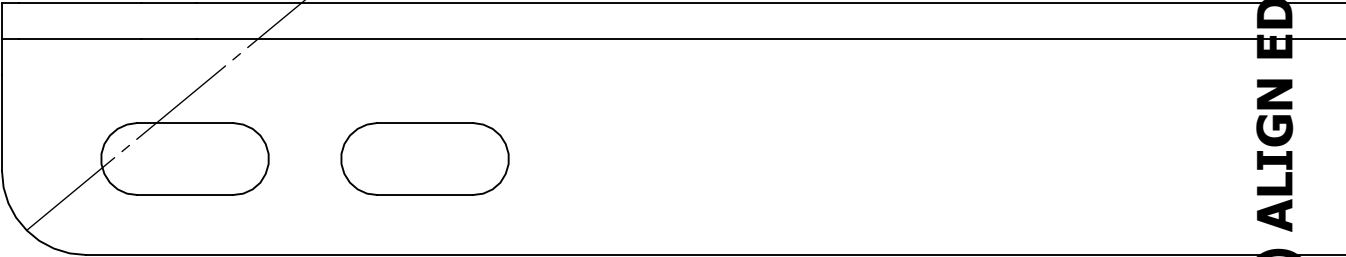


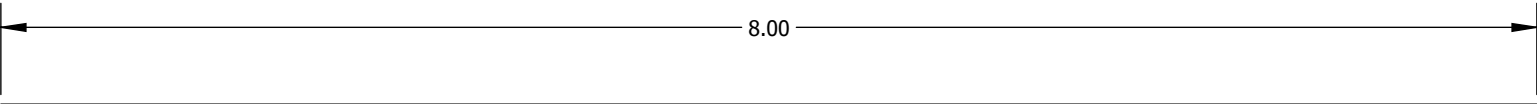
(1) ALIGN EDGE OF PAGE (1)

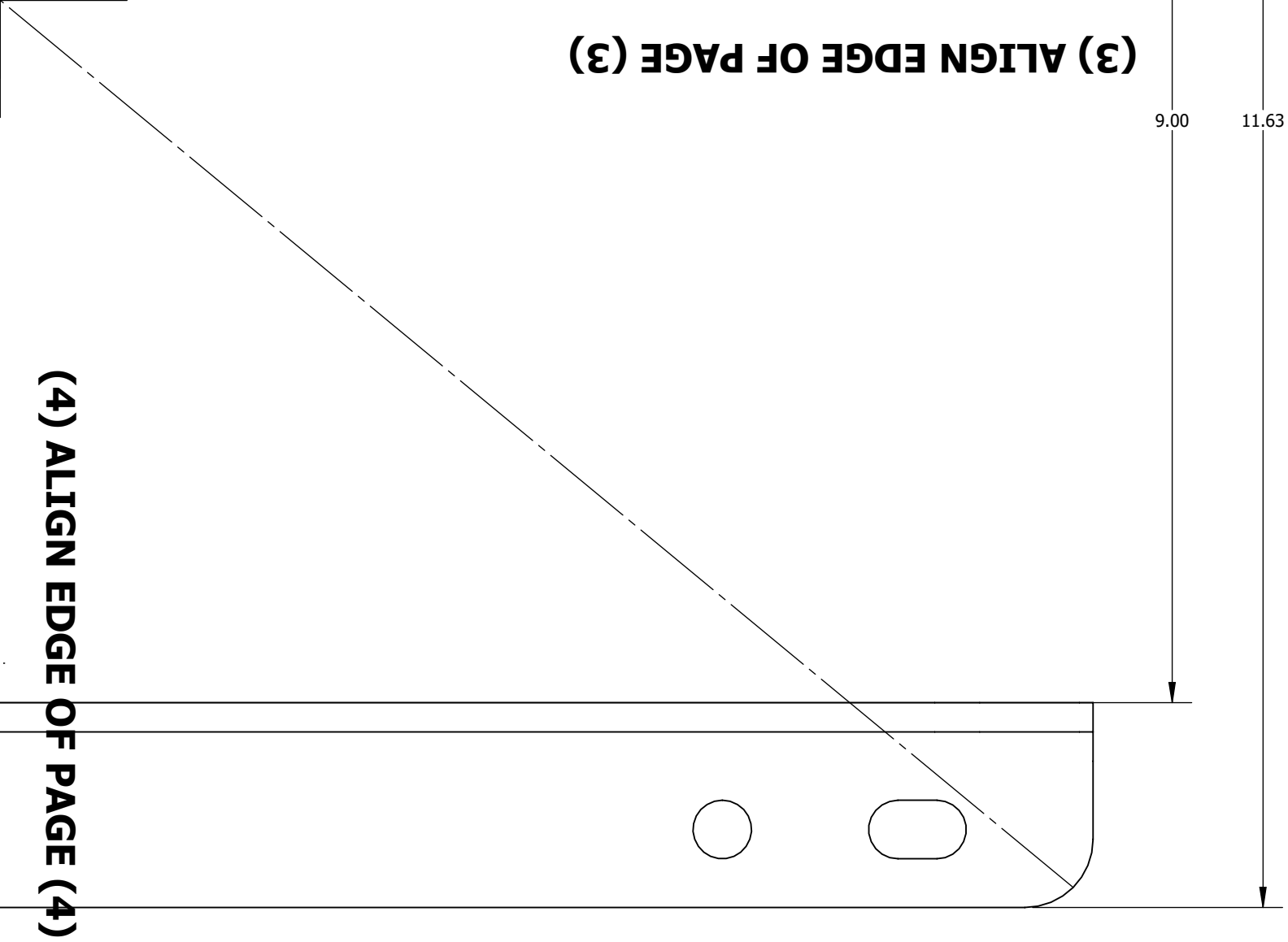
(4) ALIGN EDGE OF PAGE (4)



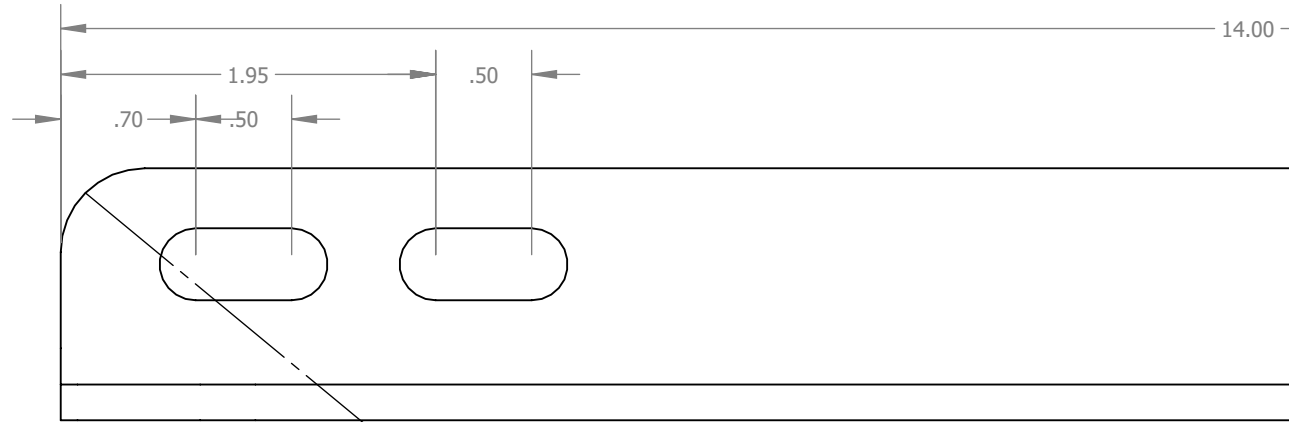
8" REFERENCE LINE FOR STANDARD RULER

8.00





ALIGN PAGES EDGE TO
EDGE BY MATCHING
NUMBERED EDGES



(2) ALIGN EDGE OF PAGE (2)

(1) ALIGN EDGE OF PAGE (1)

00

(2) ALIGN EDGE OF PAGE (2)

$\phi .38$

2.38

R.19

.25

1.00

.50

1.31

(3) ALIGN EDGE OF PAGE (3)

