

6

5

4

3

2

1

MATERIAL: SS T316
FINISH: #8 MIRROR POLISHED

ITEM NO.	PART NUMBER	DESCRIPTION	QTY.
1	98000	PEDESTAL BASE 6 HOLE FINISHED	1
2	140054	PIPE,SS 2-1/2"SCH5 T316 MF	1

D

D

C

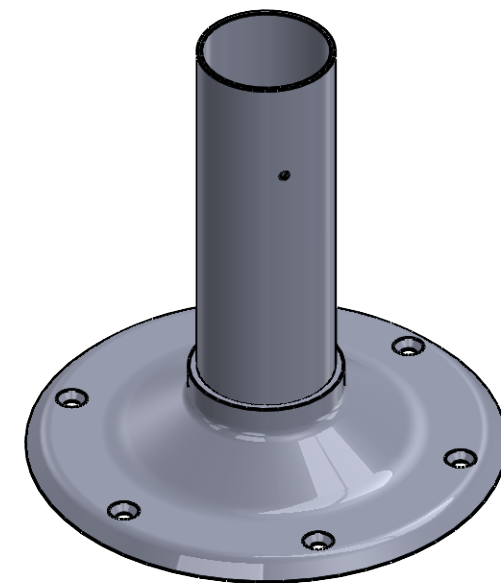
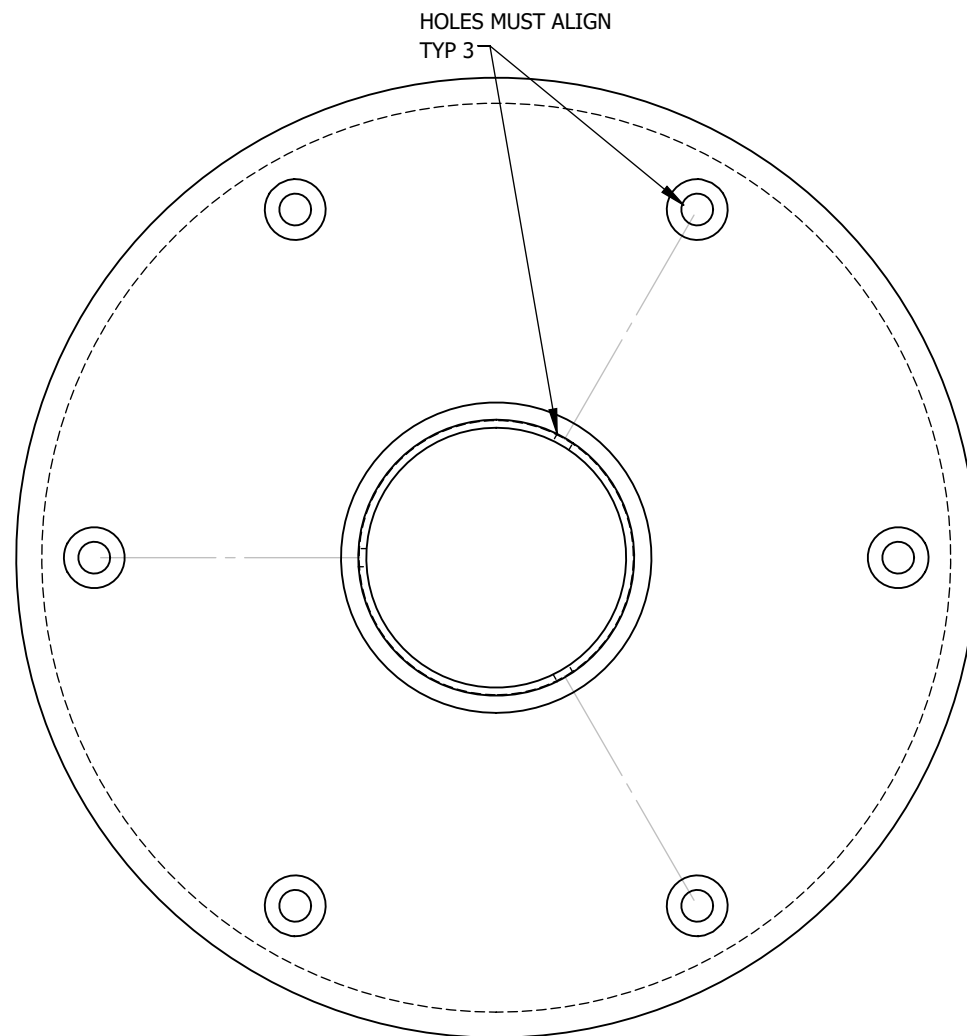
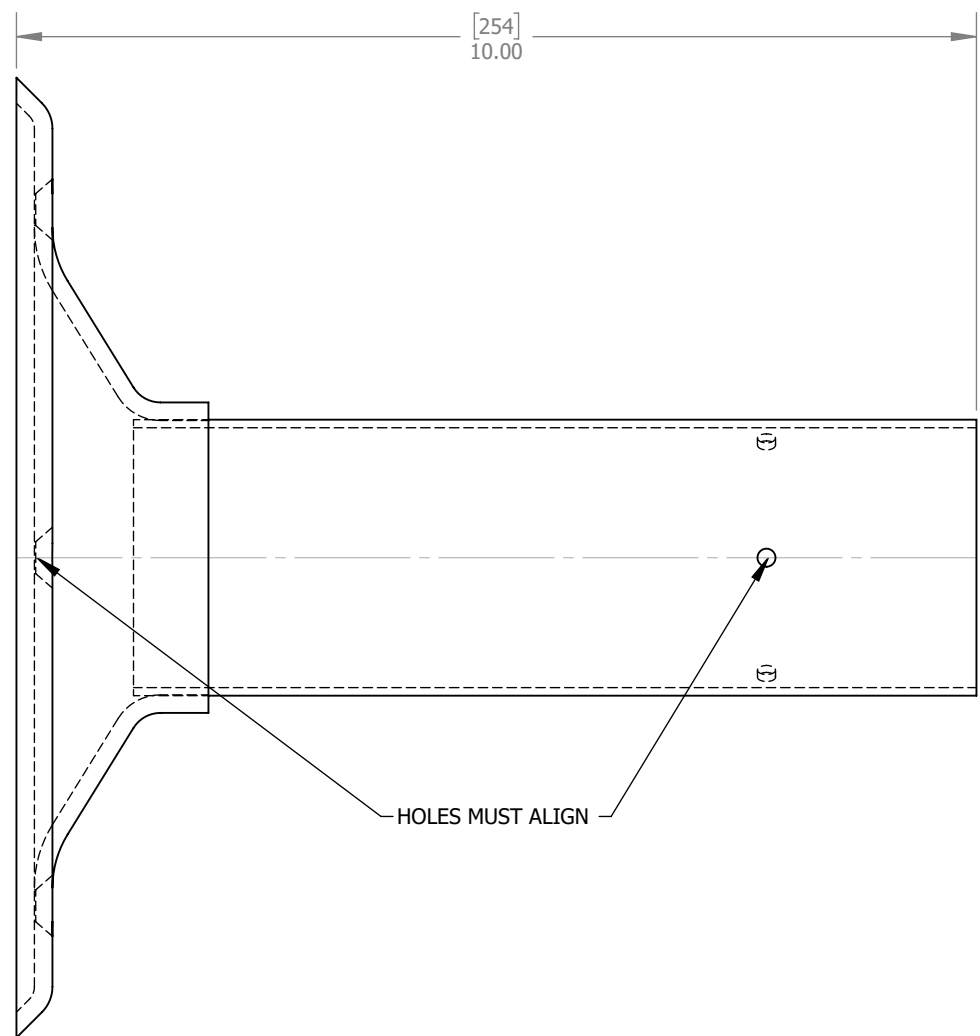
C

B


B

A

A



REV	NOTES	DATE	BY
A	COUNTERSINK HOLES CHANGED FROM $\phi 1/4$ TO $\phi 5/16$	11/10/2021	CW

<p>PROPRIETARY AND CONFIDENTIAL</p> <p>THE INFORMATION CONTAINED IN THIS DRAWING IS THE SOLE PROPERTY OF GG SCHMITT & SONS.</p> <p>ANY REPRODUCTION IN PART OR AS A WHOLE WITHOUT THE WRITTEN PERMISSION OF GG SCHMITT & SONS IS PROHIBITED.</p>	<p>THIRD ANGLE PROJECTION</p>  <p>UNLESS OTHERWISE SPECIFIED: DIMENSIONS ARE IN INCHES [SECONDARY IS IN MILLIMETERS]</p> <p>TOLERANCES: FRACTIONAL: $\pm 1/16"$ ANGLE: $\pm .5^\circ$.XX $\pm .03"$, .XXX $\pm .010$ INTERPRET DIM AND TOL PER ASME 14.5M-1994</p>	<p>DESCRIPTION PEDESTAL SEAT 10" 6 HOLE</p>			<p>GG Schmitt & Sons</p> <p>2821 Old Tree Dr Lancaster, PA 17603 (717)394-4301</p> <p>7220 15th St. E Sarasota, FL 34243 (941)550-1947</p>			
		<p>DRAWN</p> <p>CHECKED</p>	<p>CONOR W</p>	<p>4/28/2021</p>	<p>SCALE 1:2</p>	<p>DO NOT SCALE DRAWING</p>	<p>SIZE B</p>	<p>REVISION A</p>

6

5

4

3

2

1

6

5

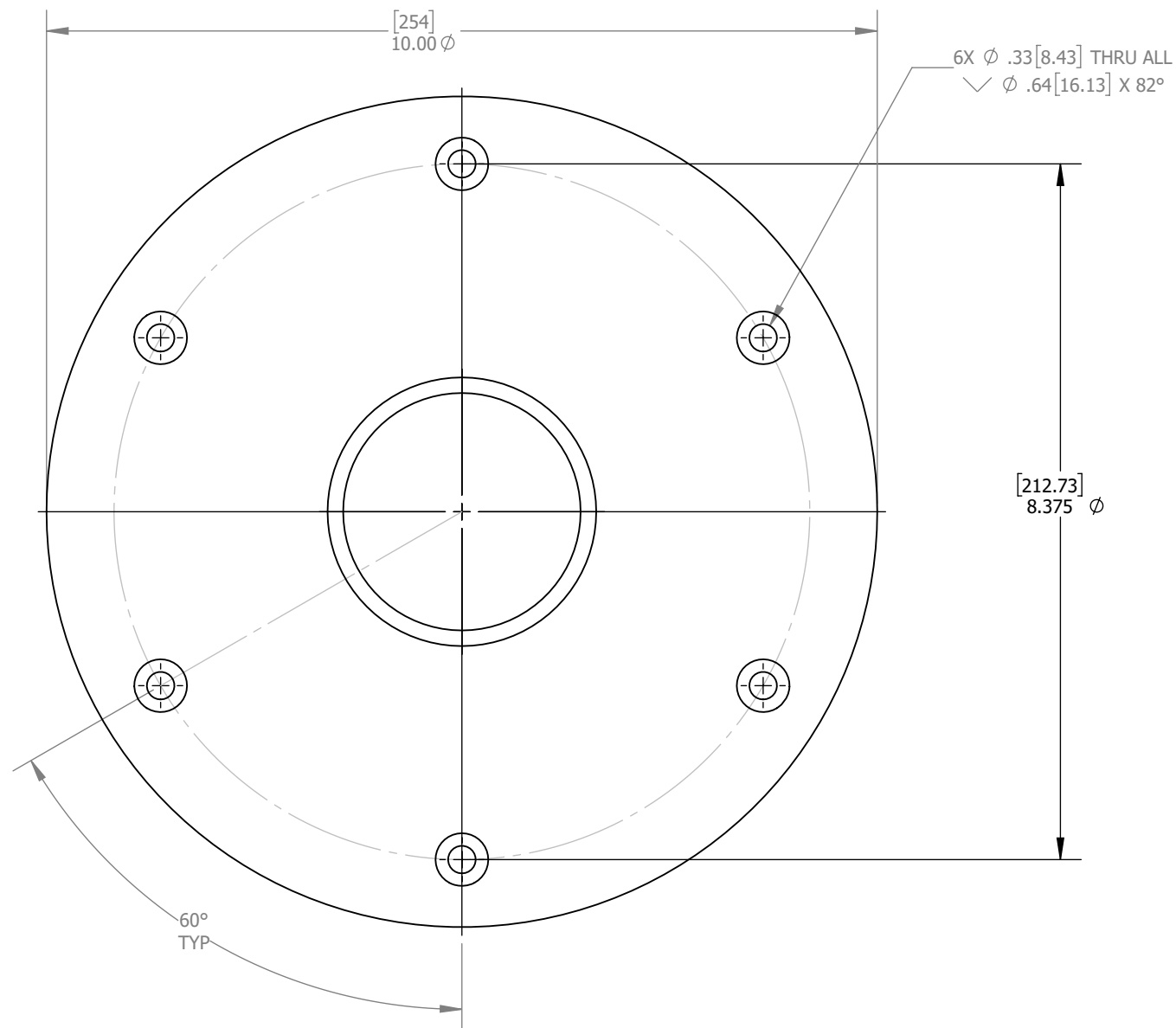
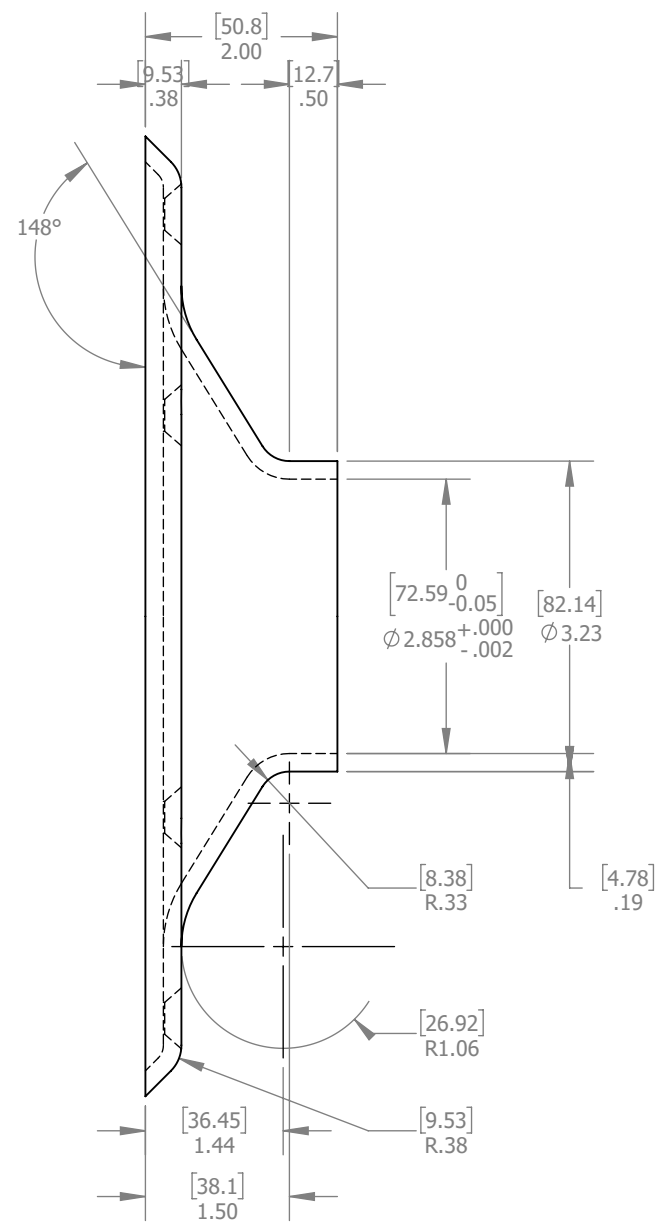
4

3

2

1

PN: 98000
MATERIAL: SS T316
FINISH: #8 MIRROR POLISHED



6

5

4


3

2

1

A

A

<p>PROPRIETARY AND CONFIDENTIAL</p> <p>THE INFORMATION CONTAINED IN THIS DRAWING IS THE SOLE PROPERTY OF GG SCHMITT & SONS.</p> <p>ANY REPRODUCTION IN PART OR AS A WHOLE WITHOUT THE WRITTEN PERMISSION OF GG SCHMITT & SONS IS PROHIBITED.</p>	<p>THIRD ANGLE PROJECTION</p>  <p>UNLESS OTHERWISE SPECIFIED: DIMENSIONS ARE IN INCHES [SECONDARY IS IN MILLIMETERS]</p> <p>TOLERANCES: FRACTIONAL: 1/16" ANGLE: ± .5° .XX ± .03", .XXX ± .010 INTERPRET DIM AND TOL PER ASME 14.5M-1994</p>	<p>DESCRIPTION PEDESTAL SEAT 10" 6 HOLE</p>			<p>GG Schmitt & Sons</p> <p>2821 Old Tree Dr Lancaster, PA 17603 (717)394-4301 7220 15th St E Sarasota, FL 34243 (941)552-1947</p>			
		<p>DRAWN CONOR W</p>	<p>4/28/2021</p>	<p>SCALE 1:2</p>	<p>DO NOT SCALE DRAWING</p>	<p>SIZE B</p>	<p>SHEET 2 OF 3</p>	

6

5

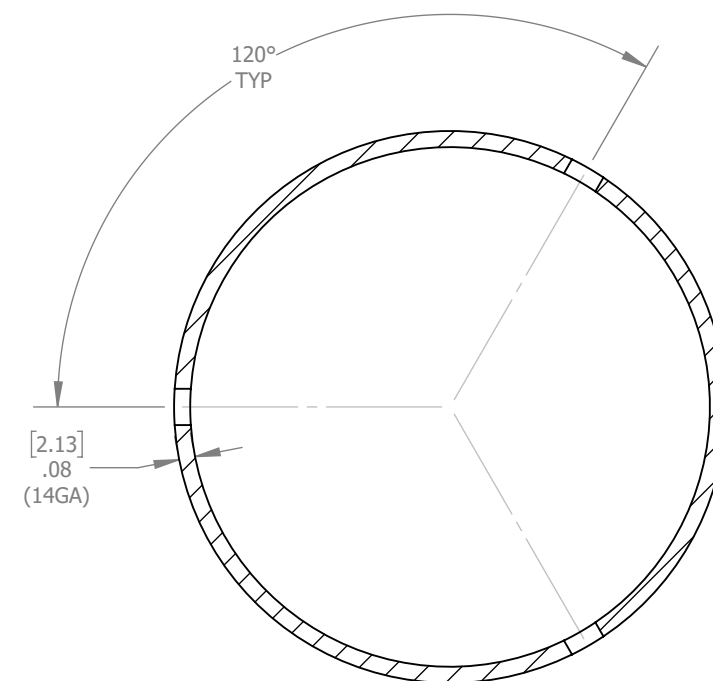
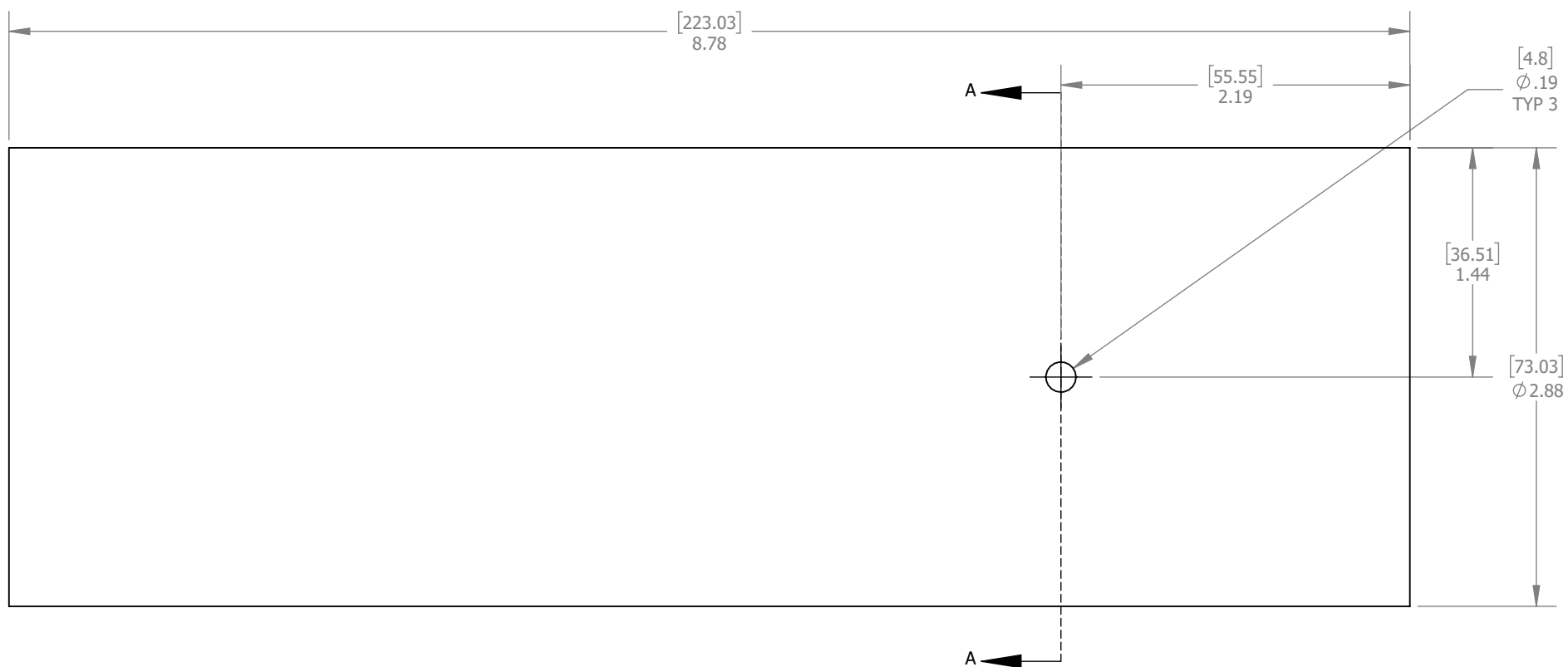
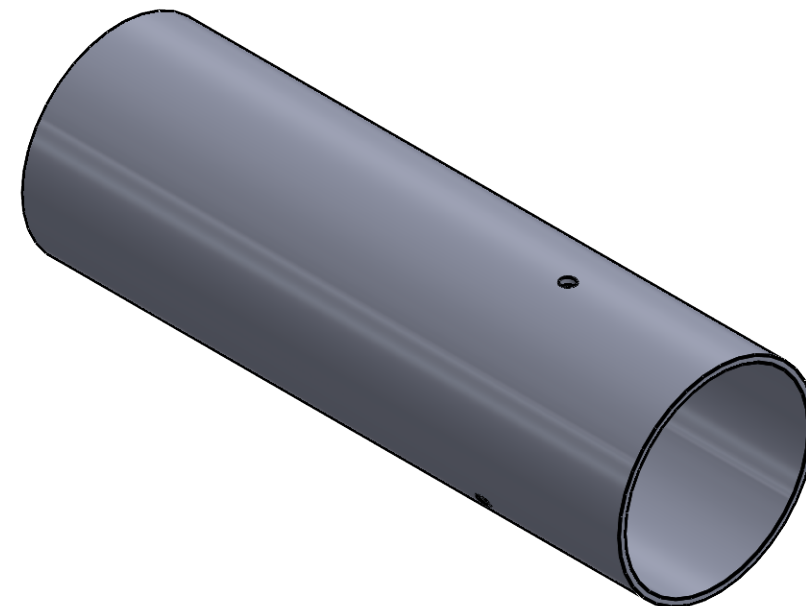
4

3

2

1

MATERIAL: PIPE,SS 2-1/2"SCH5 T316 MF
FINISH: #8 MIRROR POLISHED



SECTION A-A
SCALE 1 : 1

6

5

4

3

2

1

A

A

PROPRIETARY AND CONFIDENTIAL

THE INFORMATION CONTAINED IN THIS DRAWING IS THE SOLE PROPERTY OF GG SCHMITT & SONS.

ANY REPRODUCTION IN PART OR AS A WHOLE WITHOUT THE WRITTEN PERMISSION OF GG SCHMITT & SONS IS PROHIBITED.

THIRD ANGLE PROJECTION



UNLESS OTHERWISE SPECIFIED: DIMENSIONS ARE IN INCHES [SECONDARY IS IN MILLIMETERS]
TOLERANCES:
FRACTIONAL: ± 1/16"
ANGLE: ± .5°
.XX ± .03", .XXX ± .010
INTERPRET DIM AND TOL PER ASME 14.5M-1994

DESCRIPTION
PEDESTAL SEAT 10" 6 HOLE

DRAWN CONOR W 4/28/2021
CHECKED



2821 Old Tree Dr
Lancaster, PA 17603
(717)394-4301
7220 15th St E
Sarasota, FL 34243
(941)560-1947

PART NO.
98029C

REV
A

SCALE 1:1 DO NOT SCALE DRAWING SIZE B SHEET 3 OF 3