

6

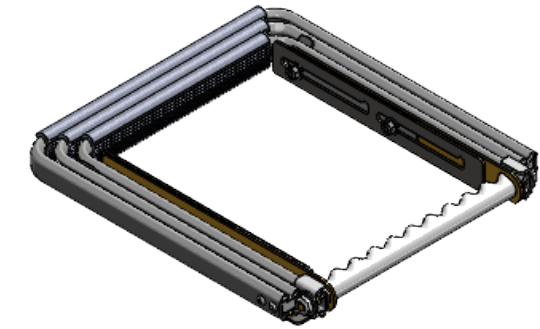
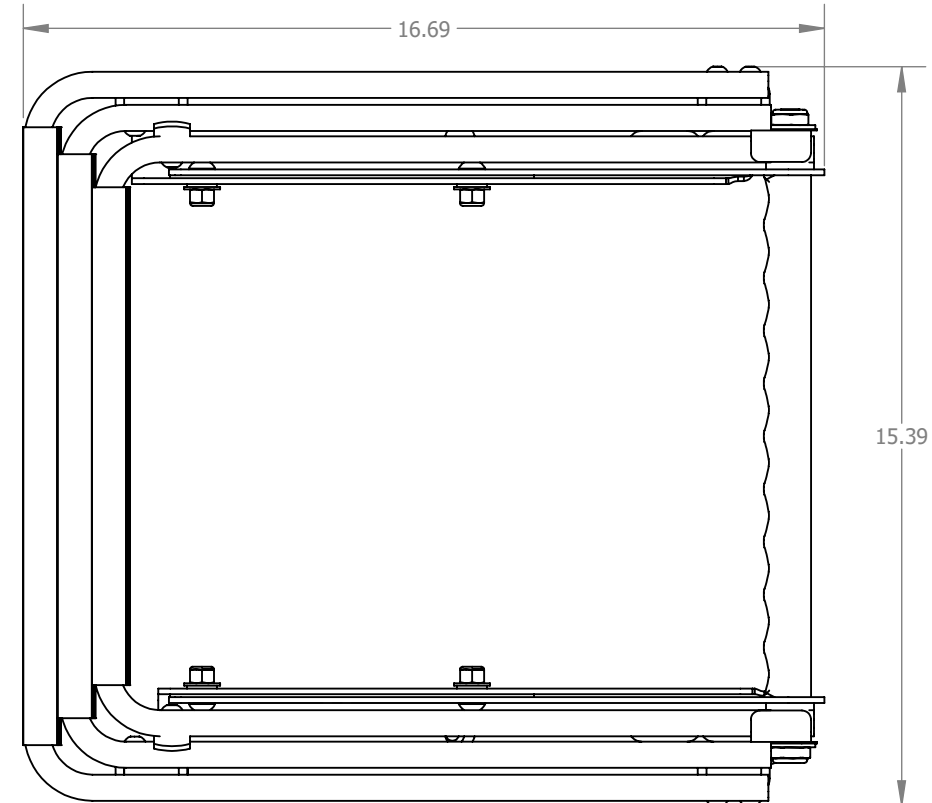
5

4

3

2

1

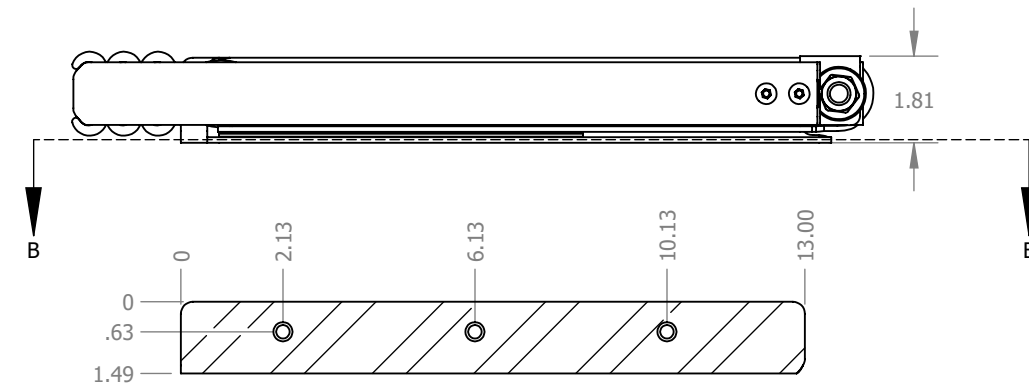
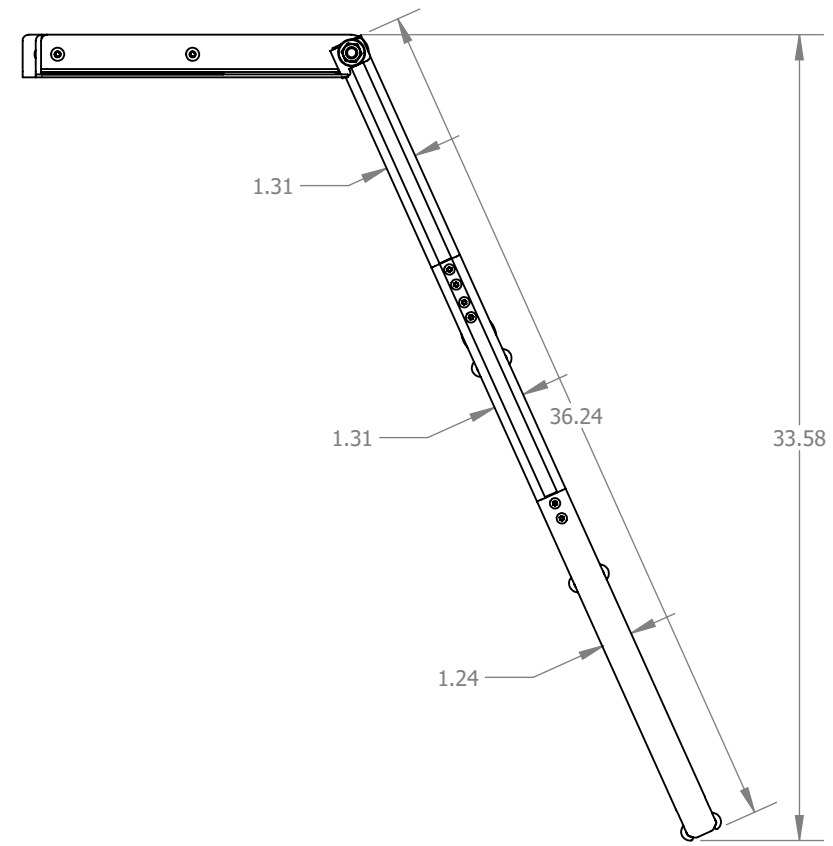


STOWED VIEW

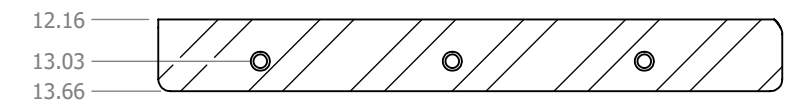


DEPLOYED VIEW


FLIP UP AND OVER TO STOW



MOUNTING HOLES



SECTION B-B
SCALE 1 : 4

<p>PROPRIETARY AND CONFIDENTIAL</p> <p>THE INFORMATION CONTAINED IN THIS DRAWING IS THE SOLE PROPERTY OF GG SCHMITT & SONS.</p> <p>ANY REPRODUCTION IN PART OR AS A WHOLE WITHOUT THE WRITTEN PERMISSION OF GG SCHMITT & SONS IS PROHIBITED.</p>	<p>THIRD ANGLE PROJECTION</p>  <p>UNLESS OTHERWISE SPECIFIED: DIMENSIONS ARE IN INCHES [SECONDARY IS IN MILLIMETERS]</p> <p>TOLERANCES: FRACTIONAL: 1/16" ANGLE: ± .5° .XX ± .03", .XXX ± .010 INTERPRET DIM AND TOL PER ASME 14.5M-1994</p>	<p>DESCRIPTION LADDER SS 3-STP SLIDING 4.75"</p>			<p>GG Schmitt & Sons</p> <p>2821 Old Tree Dr Lancaster, PA 17603 (717)394-2301 7220 15th St. E Sarasota, FL 34243 (941)562-1927</p>			
		<p>DRAWN CONOR .W</p>	<p>9/17/2021</p>	<p>SCALE 1:4</p>	<p>DO NOT SCALE DRAWING</p>	<p>SIZE B</p>	<p>SHEET 1 OF 1</p>	

6

5

4

3

2

1

D

C

B

A

D

C

B

A